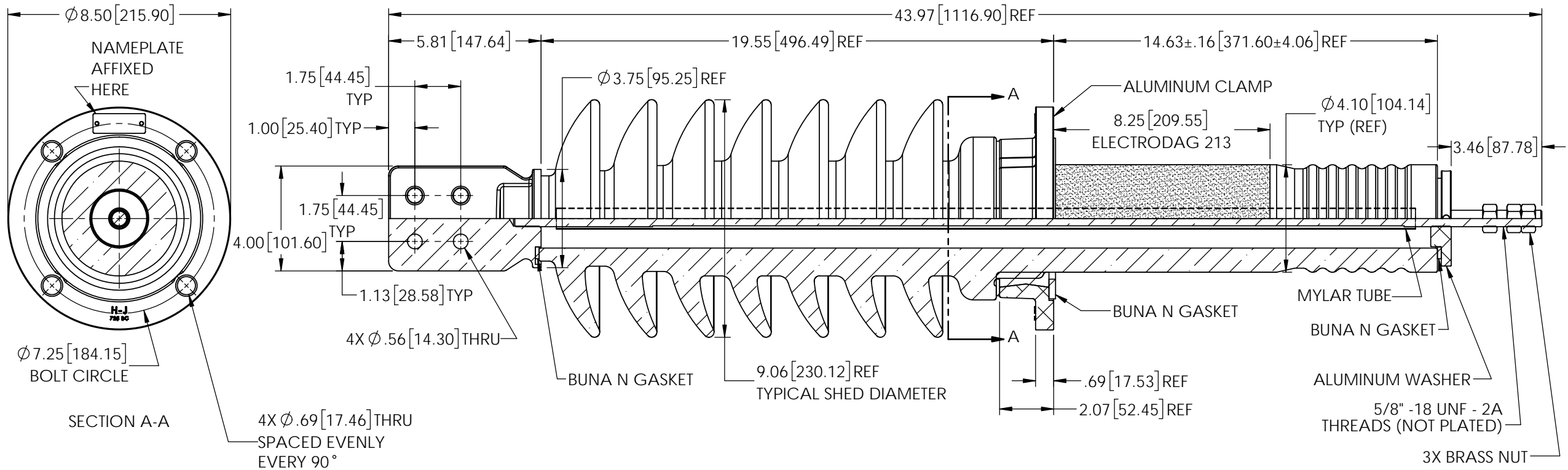


REVISIONS					
REV	DATE	ECN #	DESCRIPTION	BY	APPD



MATERIAL:
 STUD - COPPER C11000
 SPADE - C84400 TIN PLATED
 OIL - TYPE 2 TRANSFORMER OIL

NOTES:
 1. SHANK TO FIT INTO ϕ 4-1/2" TANK HOLE.
 2. FOR VERTICAL MOUNTING.
 3. MINIMUM COLD OIL LEVEL - 4" UP SHANK.

PORCELAIN NOTES:
 1. WET PROCESS ELECTRICAL PORCELAIN.
 2. GRAY GLAZE MUNSELL 5BG 7.0/0.4
 3. TOLERANCE \pm 3% WITH NOTHING LESS THAN \pm .03", UNLESS OTHERWISE NOTED ON DRAWING.

- SPECIFICATIONS:
- VOLTAGE RATING 46kV CLASS
 - BASIC IMPULSE LEVEL 250kV BIL
 - NOMINAL CURRENT RATING 417 AMPS
 - CREEP DISTANCE (MINIMUM) 42.50 [1079.50]
 - STRIKE DISTANCE (MINIMUM) 18.75 [476.25]
 - APPROXIMATE WEIGHT 63.53 LBS

PROPRIETARY AND CONFIDENTIAL
 THE INFORMATION CONTAINED IN THIS DRAWING IS THE SOLE PROPERTY OF H-J ENTERPRISES, INC. ANY REPRODUCTION IN PART OR AS A WHOLE WITHOUT THE WRITTEN PERMISSION OF H-J ENTERPRISES, INC. IS PROHIBITED.

TOLERANCES (EXCEPT AS NOTED)	
DECIMAL	X" = \pm .1" .XX" = \pm .06" .XXX" = \pm .03"
ANGULAR	+/- 1 Degrees



H - J ENTERPRISES, INC.
 3010 HIGH RIDGE BLVD. HIGH RIDGE, MO. 63049 USA
 PHONE 1-636-677-3421 FAX 1-636-376-1915

46 kV CLASS POWER BUSHING

MATERIAL (SEE DRAWING)

CHK'D	CJT	APP'D	DRAWING NO.
			AS1774-0121

DRAWN BY **MAD** DATE **9/21/2021**

SCALE **N.T.S.**